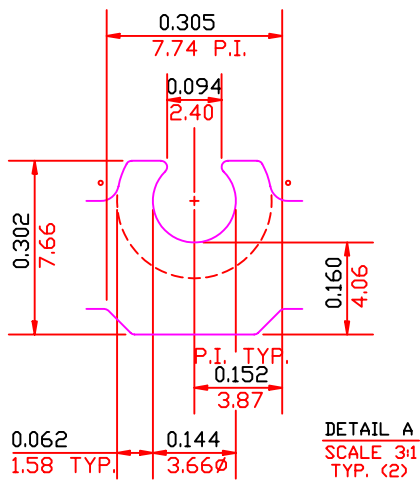
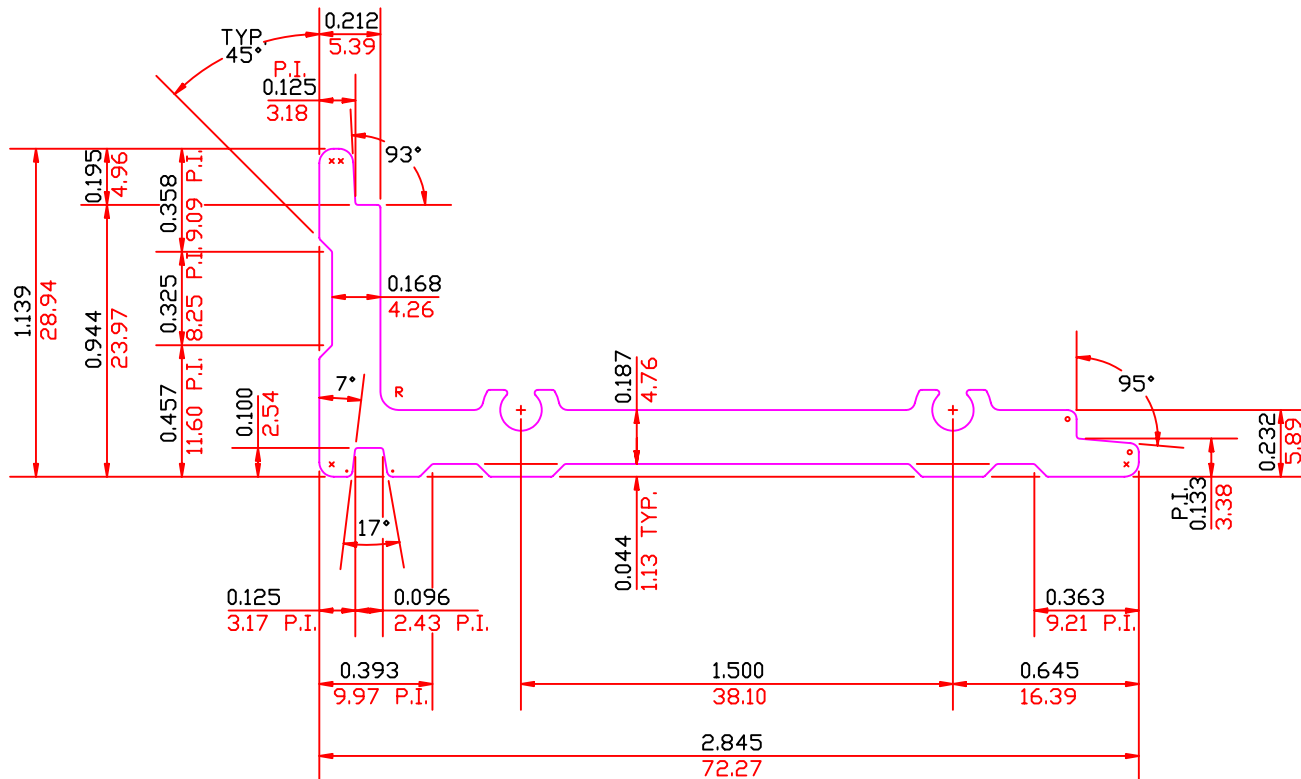
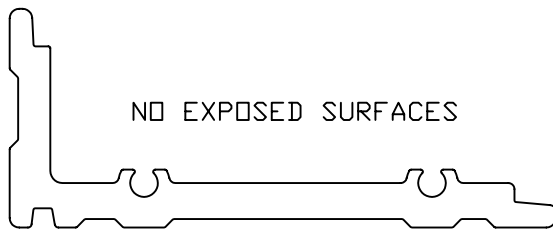


CUSTOMER	DIE No.	REV. No.
DESCRIPTION CAPPED FRAME LOAD TRANSFER BAR (150 SYSTEM)	CUSTOMER PART No. 610-507	QUOTE No. 09-0423-1
		PROPOSAL No. S-20745



(.) = 0.020(0.50) R.
(o) = 0.031(0.80) R.
(*) = 0.050(1.27) R.
(R) = 0.063(1.60) R.
UNMARKED RADII = RADIUS TO SUIT



NO EXPOSED SURFACES

ACTUAL SIZE

WALL THICKNESS (AS SHOWN) EXCEPT AS SHOWN

DATE	REV	DESCRIPTION	BY
EST.AREA	0.713	IN. ²	EST.AREA 459.880
EST.WT.	0.841	LBS/FT.	EST.WT. 1.252
EST.PER.	8.809	IN.	EST.PER. 223.745
OUT PER.		IN.	OUT PER.
C.C.D.	3.036	IN.	C.C.D. 77.115
FINISH	M/F	ALLOY	6063
CKD BY	FACTOR 10	SCALE 1.5:1	DWN BY ARD DATE 04/21/2009

LOGO

THIS DRAWING IS NOT NECESSARILY A COPY OF YOUR ORIGINAL. PLEASE APPROVE DIMENSIONS AND TOLERANCES INDICATED. CAN ART ASSUMES NO RESPONSIBILITY EITHER TECHNICAL OR LEGAL FOR HAVING THIS SHAPE MADE. THE CUSTOMER AGREES TO FULLY PROTECT ----- CLAIMS OF OTHERS RESULTING FROM THIS SHAPE.

SIGNED: _____ DATE: _____